

TM RACING
USES AND
RACOMMENDS



TM Racing SpA - Via Fano, 6
61122 Pesaro - ITALY
Phone: +39 0721 25113



125cc

KZ-M1

CATALOGO RICAMBI - PARTS BOOK





ZM1
125CC KZ-M1

SOMMARIO
TABLE OF CONTENTS



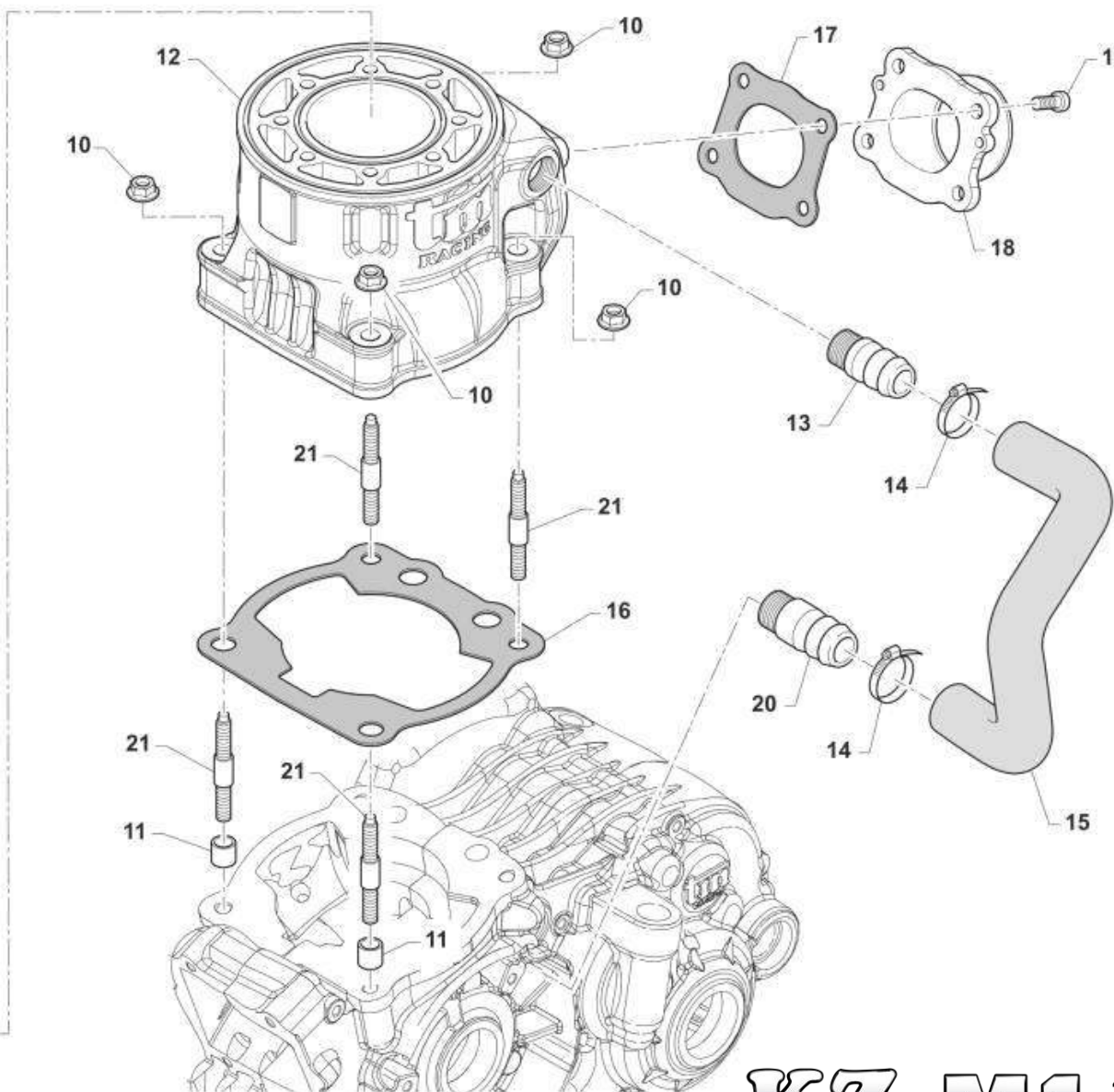
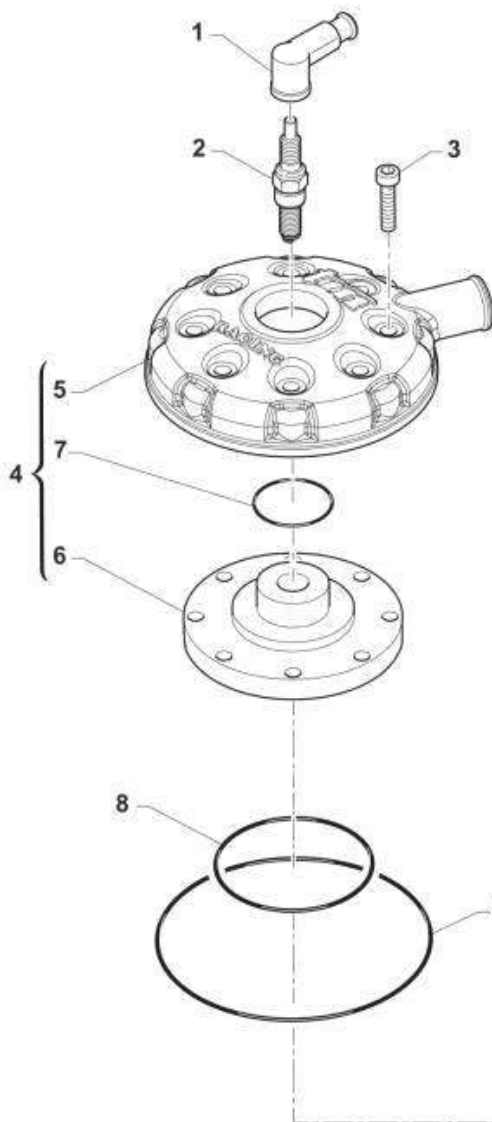
CILINDRO E TESTA - CYLINDER AND HEAD.....	4
ALBERO MOTORE E PISTONE - CRANKSHAFT AND PISTON	6
ACCENSIONE - IGNITION	8
PACCO LAMELLARE - REEDS BOX.....	10
FRIZIONE - CLUTCH	12
COMANDO CAMBIO - GEARSHIFT MECHANISM	15
CAMBIO - GEAR BOX	18
CUSCINETTI CAMBIO E PIGNONE - BEARINGS AND SPROCKET.....	21
SCARICO - EXHAUST SYSTEM.....	23
POMPA BENZINA.....	25



KZM1
 125CC KZ-M1

CILINDRO E TESTA
 CYLINDER AND HEAD

1





KZM1
125CC KZ-M1

CILINDRO E
TESTA
CYLINDER AND HEAD

1

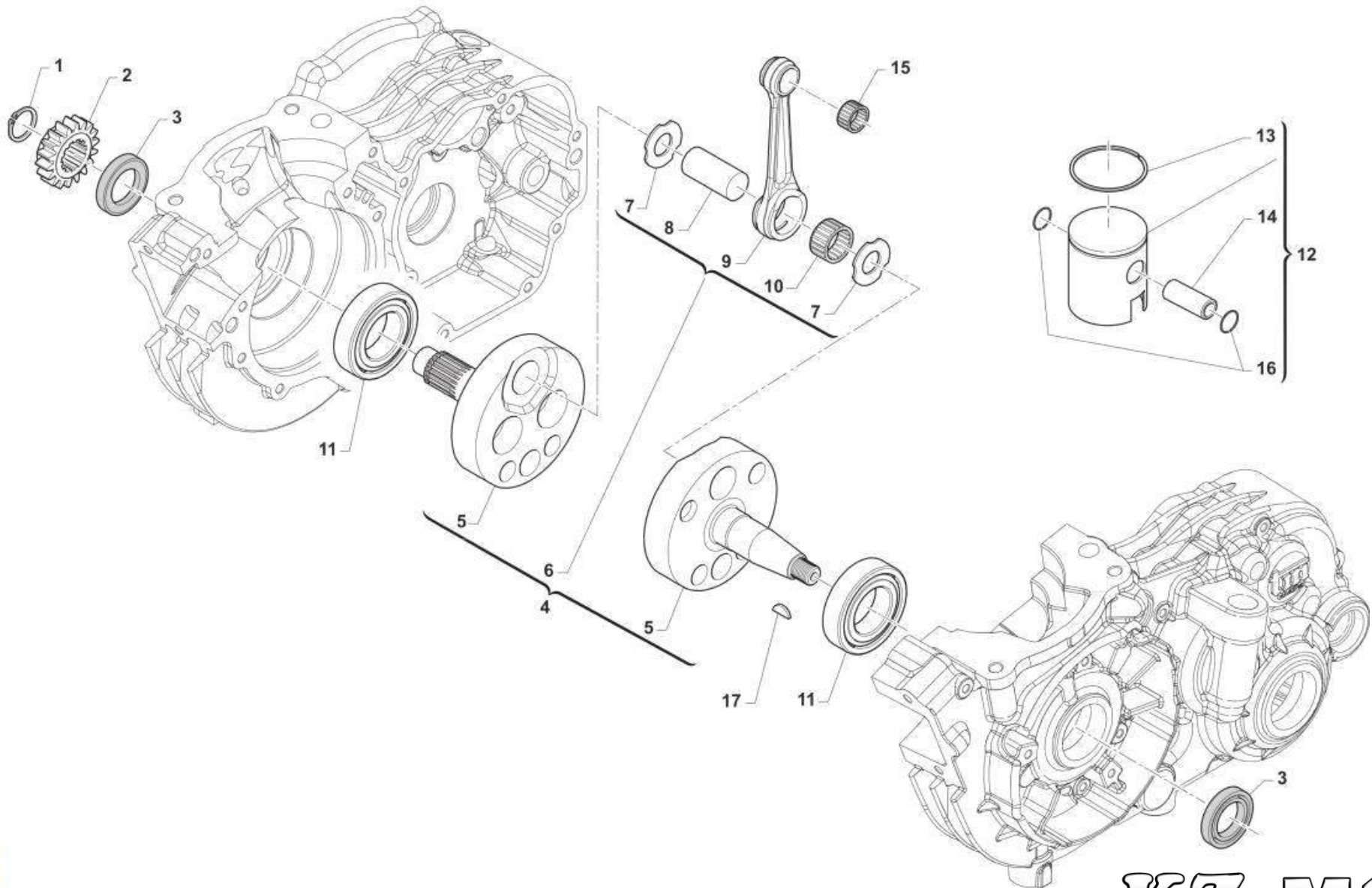
Pos.	Codice	Q.tà	Note	Descrizione	Description	Precio en Dlls IVA incluido
1	15220	1		PIPETTA PVL MF1/2/3 60cc/OK	COVER, SPARK-PLUG PVL	\$13.00
2	06024	1		CANDELA BRISK L08S SILVER R.	SPARK PLUG BRISK L08S SILVER	\$15.00
3	49487	8		VITE TCEI 6X35 UNI 5931	BOLT TCEI 6X35	\$0.50
4	02561	1		TESTA KZ-M1 CPL	HEAD KZ-M1	\$239.00
5	02558.1	1		COPERCHIO TESTA KZ10C/KZ-R1	COVER, HEAD KZ10C/KZ-R1	\$107.00
6	02558.7	1		CAMERA COMBUSTIONE KZ-M1	COMBUSTION CHAMBER KZ-M1	\$132.00
7	12070	1		O RING COP.TEST/CAM.COMB.KZ FKM-75	O RING HEAD COVER/COMB.C.KZ10C	\$2.00
8	12003	1		O RING TESTA 125 90/06KVK8-910 NBR	O-RING, HEAD 125 90/06 KV8910	\$0.75
9	12014	1		O RING TESTA MF1/MF2 KZ10	O-RING, HEAD MF1/MF2 KZ10	\$1.00
10	49640	4		DADO M 8 FLANGIATO CHIAVE 12	NUT 8mm, FLANGE	\$1.00
11	26143	2		GRANO CENTRAGGIO MOT. 10.5X14	DOWEL PIN 10,5 X 14	\$1.00
12	01574	1		CILINDRO KART KZ-M1	CYLINDER KART KZ-M1	\$785.00
13	28017	1		RACCORDO ACQUA D.18	WATER JOINT D. 18 - ALUMINUM	\$4.50
14	51070	2		FASCETTA 17/29 VELOBLOC 3B	CLAMP 17/29 VELOVLOC 3B	\$1.50
15	21025	1		MANICOTTO H2O CAR/CIL K8/9/Z10	WATER HOSE, CYL/CASE K8/K9/K9B	\$7.00
16	05053.05	1		GUARN. B/CIL. KZ10B/C 0,05	GASKET, CYL KZ10B 0,05	\$0.75
16	05053.10	1		GUARN. B/CIL. KZ10B/C 0,10	GASKET, CYL KZ10B 0,10	\$0.75
16	05053.15	1		GUARN. B/CIL. KZ10B/C 0,15	GASKET, CYL KZ10B 0,15	\$0.75
16	05053.20	1		GUARN. B/CIL. KZ10B/C 0,20	GASKET, CYL KZ10B 0,20	\$0.75
16	05053.30	1		GUARN. B/CIL. KZ10B/C 0,30	GASKET, CYL KZ10B 0,30	\$0.75
16	05053.40	1		GUARN. B/CIL. KZ10B/C 0,40	GASKET, CYL KZ10B 0,40	\$0.75
16	05053.50	1		GUARN. B/CIL. KZ10B/C 0,50	GASKET, CYL KZ10B 0,50	\$0.75
17	05027	1		GUARN. COLL.SCAR. MF1/2 KZ10	GASKET, EX MANIFOLD TAG	\$3.50
18	13112	1		COLLETTORE SCARICO KZ-M1 30.5	MANIFLD, EXHAUST KZ-M1	\$140.00
19	49484	4		VITE TCEI 6X20	BOLT TCEI 6X20	\$0.25
20	28018	1		RACCORDO ACQUA KV K9B K9C INF.	WATER JOINT KV K9B K9C LOWER	\$5.00
21	49037	4		PRIGIONIERO CIL.61 KZ10	STUD CYL.61mm KZ10	\$2.00

KZ-M1



KZM1
125CC KZ-M1

ALBERO MOTORE E PISTONE
CRANKSHAFT AND PISTON



K0164

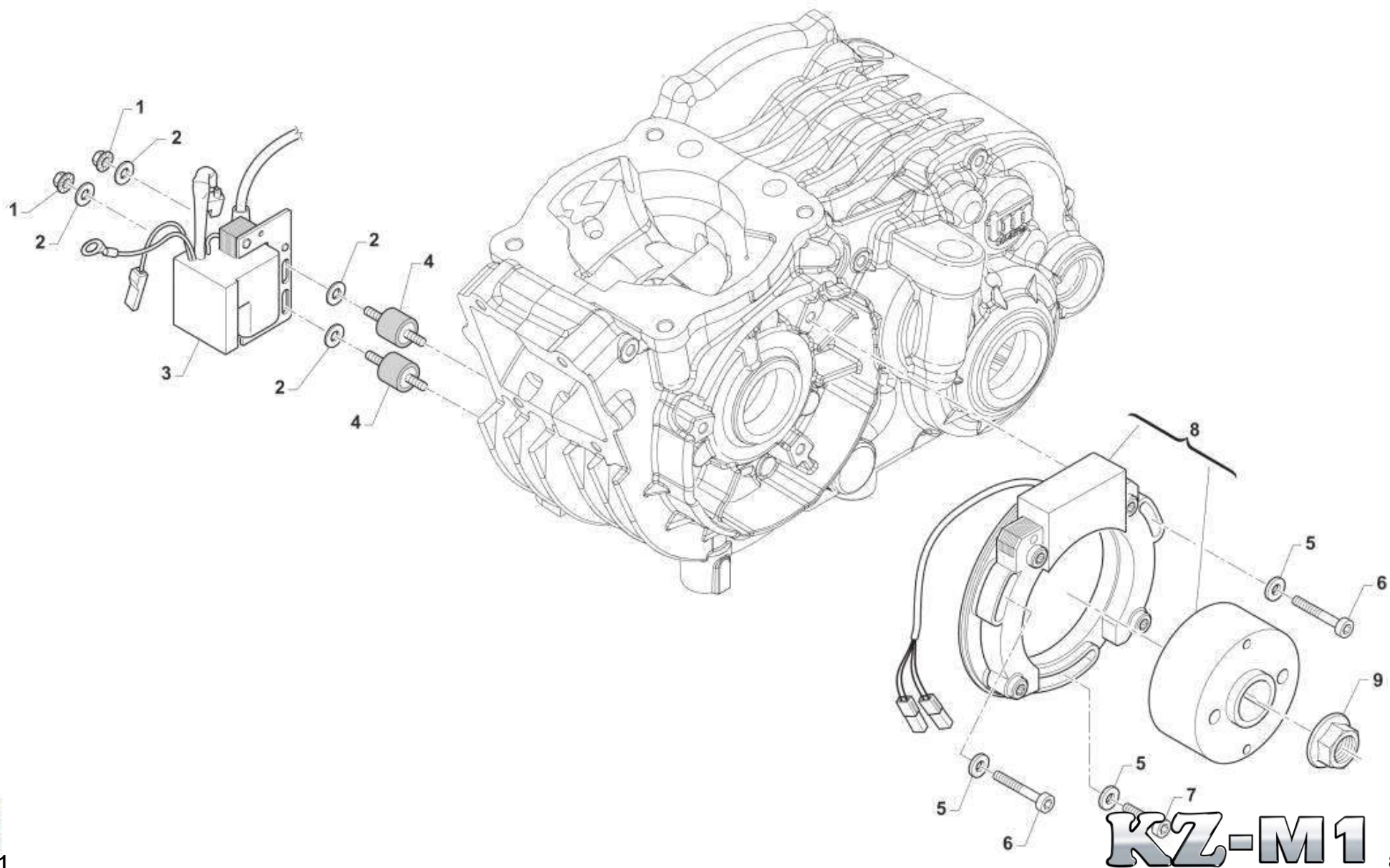
KZM1
125CC KZ-M1

ALBERO MOTORE E PISTONE
CRANKSHAFT AND PISTON

Pos.	Codice	Q.tà	Note	Descrizione	Description	Precio en Dlls IVA incluido
1	49216	1		SEEGER E20 PIGN.-CAMBIO-COPPIA	CIRCLIP D.20 - EXTERNAL	\$0.25
2	40319	1		PIGNONE C.PRIMARIA Z20 KZ-M1	GEAR, PRIMARY, 20T KZ-M1	\$59.00
3	04000	2		PARAOLIO 20x35x7 PTFE BANCO	OIL SEAL 20 x 35 x 7	\$11.00
4	18282	1		ALBERO MOTORE CPL KZ-M1	CRANKSHAFT ASSY KZ-M1	\$507.00
5	18281	1		COPPIA SEMIALBERI KZ-M1	CRANK RH+LH KZ-M1	\$353.00
6	18142.5	1		BIELLA KZ-M1 22 CPL ASSE F.5	CONROD KIT KZ-M1 PIN 22 HOLE 5	\$380.00
7	18239	2		RONDELLA ARGENTATA D.22 X 1 v2	WASHER, SILVER ID 22 X 1	\$7.00
8	18091.4	1		ASSE ACCOP. 22 X 50.4 F.5	CRANKPIN 22 X 50,4 hole 5mm	\$39.00
9	18142	1		BIELLA ASSE 22 KZ-M1 FORG. NUDA 109,8	CONROD KZ-M1	\$240.00
10	17015	1		GABBIA ARGENTATA 222815	SILVER CAGE 22X28X15	\$76.00
11	03050	2		CUSCINETTO ALB/MOT 62/28 MF1/2	BUSH, 62/28 MF1/2/3 KZ10ES	\$30.00
12	10115.92	1		PISTONE 55.92 KZ - M1	PISTON 55.92 KZ-M1	\$120.00
13	11065	1		SEGMENTO 56 X 1 144cc	RING 56X1 144cc	\$20.00
14	09000	1		SPINOTTO PISTONE VERTEX 125	PISTON PIN VERTEX 125	\$8.00
15	19056	1		GABBIA SPINOTTO 125 CC SILVER	TOP END NEEDLE CAGE 125 SILVER	\$19.00
16	09004	2		ANELLINO FERMA SPINOTTO VERTEX	CLIP, K8/K9 VERTEX PISTON PIN	\$0.50
17	49010	1		CHIAVETTA VOLANO 13x5x3	WOODRUFF KEY	\$0.50
18	18025			PIN WITH 5MM HOLE	PERNO DE BIELA 5MM	\$39.00
19	19063			NEEDLE CAGE 20X24X20 2PCS	JAULA DE AGUJA 20X24X20 2PCS	\$19.00

KZM1
125CC KZ-M1

ACCENSIONE
IGNITION





**KZM1
 125CC KZ-M1**

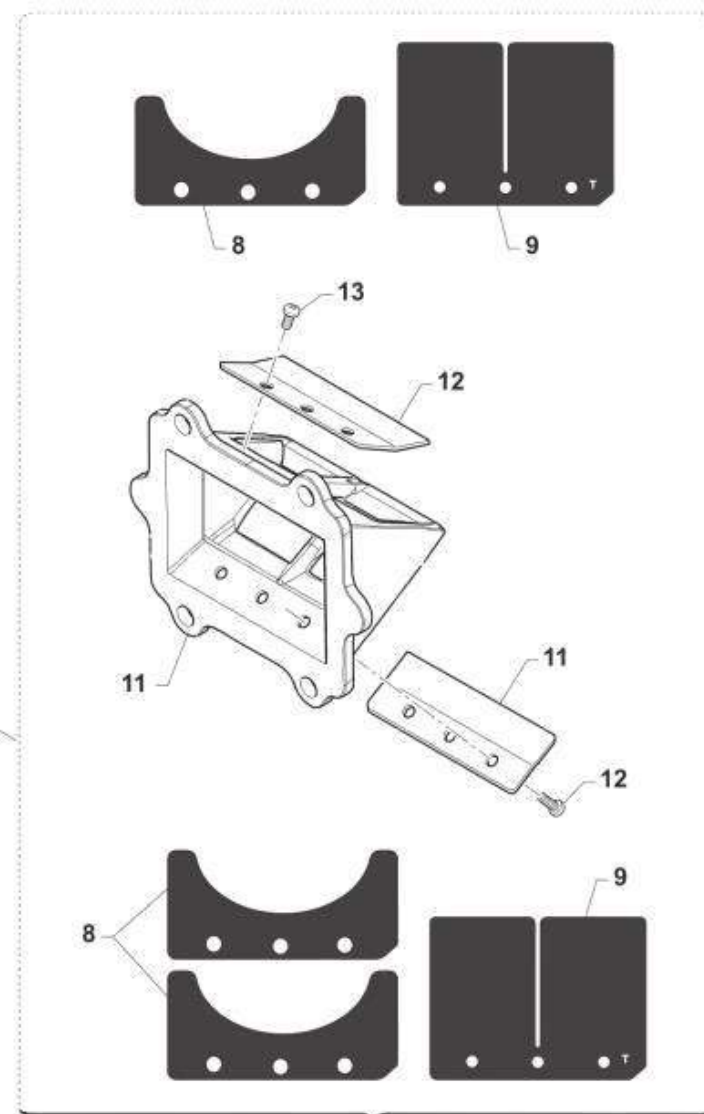
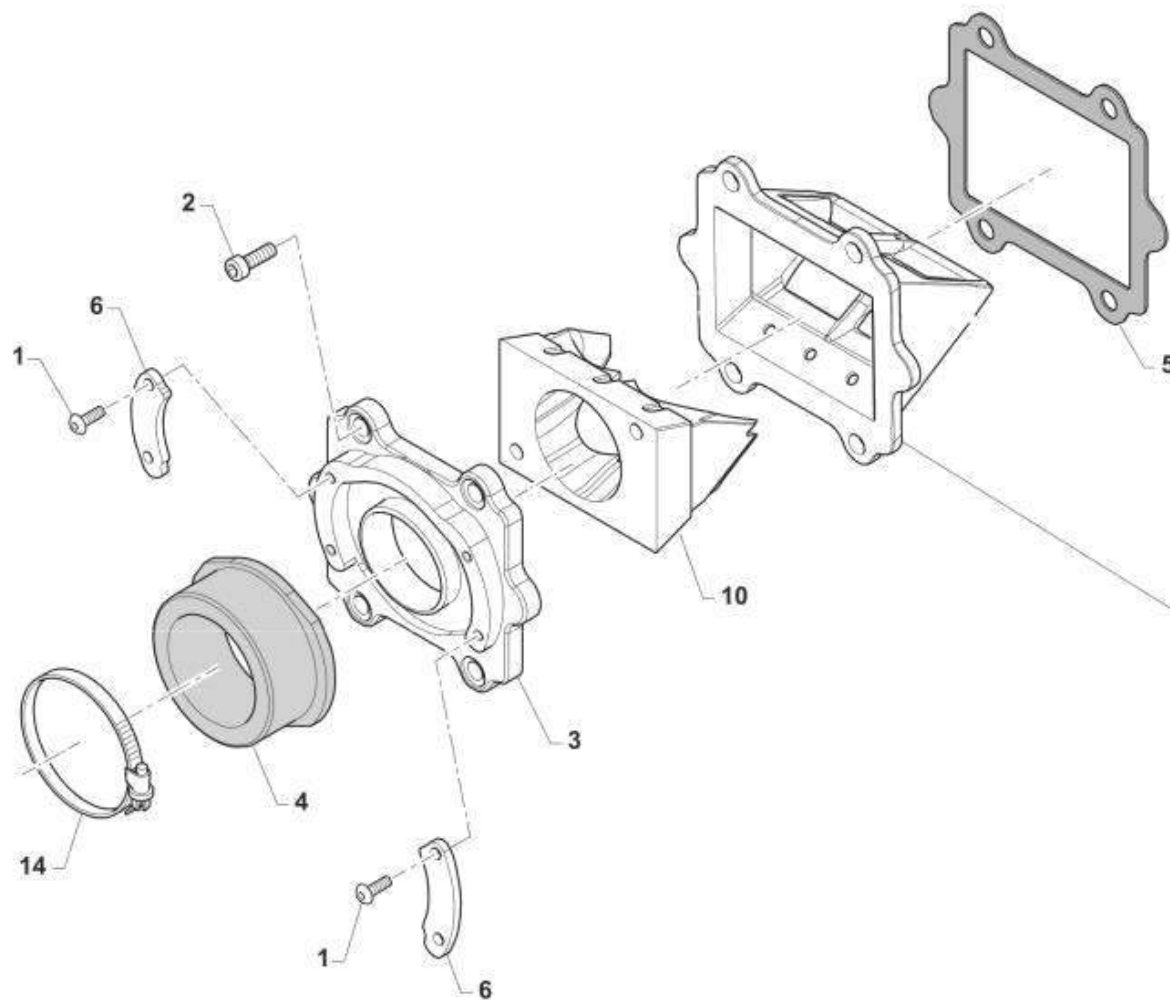
**ACCENSIONE
 IGNITION**

Pos.	Codice	Q.tà	Note	Descrizione	Description	Precio en Dlls IVA incluido
1	49637	1		DADO M 6 BASSO AUTOBLOCCANTE	NUT, M6 LOW SELF-LOCKING	\$0.25
2	21003	2		SILENT BLOCK M 6 20x20 (K8/K9)	SILENT BLOCK M6 20 X 20	\$4.50
2	49603	4		RONDELLA 6,4 X 12 X 1,5	WASHER 6x12	\$0.25
3	15149	1		BOBINA PVL DIGITALE KZ10ES 500139 ROSSA	IGNITION COIL DIGITAL 500139 RED	\$110.00
5	48007	3		RONDELLA ACCENSIONE VITE 5	WASHER IGNITION D. 5	\$0.50
6	49479	2		VITE TCEI 5X40	BOLT TCEI 5X40	\$0.25
7	49478	1		VITE TCEI 5 X 30	BOLT TCEI 5X30	\$0.50
8	15150	1		ACCENIOSNE PVL DIGITALE 105 500.63	IGNITION KART, PVL KZ10ES KZ-M1	\$314.00
9	49056	1		DADO ACCENS 100/TAG/KZ 125MX/E	NUT, IGNITION 100cc	\$3.00

KZ-M1

KZM1
125CC KZ-M1

PACCO LAMELLARE
REEDS BOX



KZ-M1



KZM1
125CC
KZ-M1

PACCO LAMELLARE
REEDS BOX



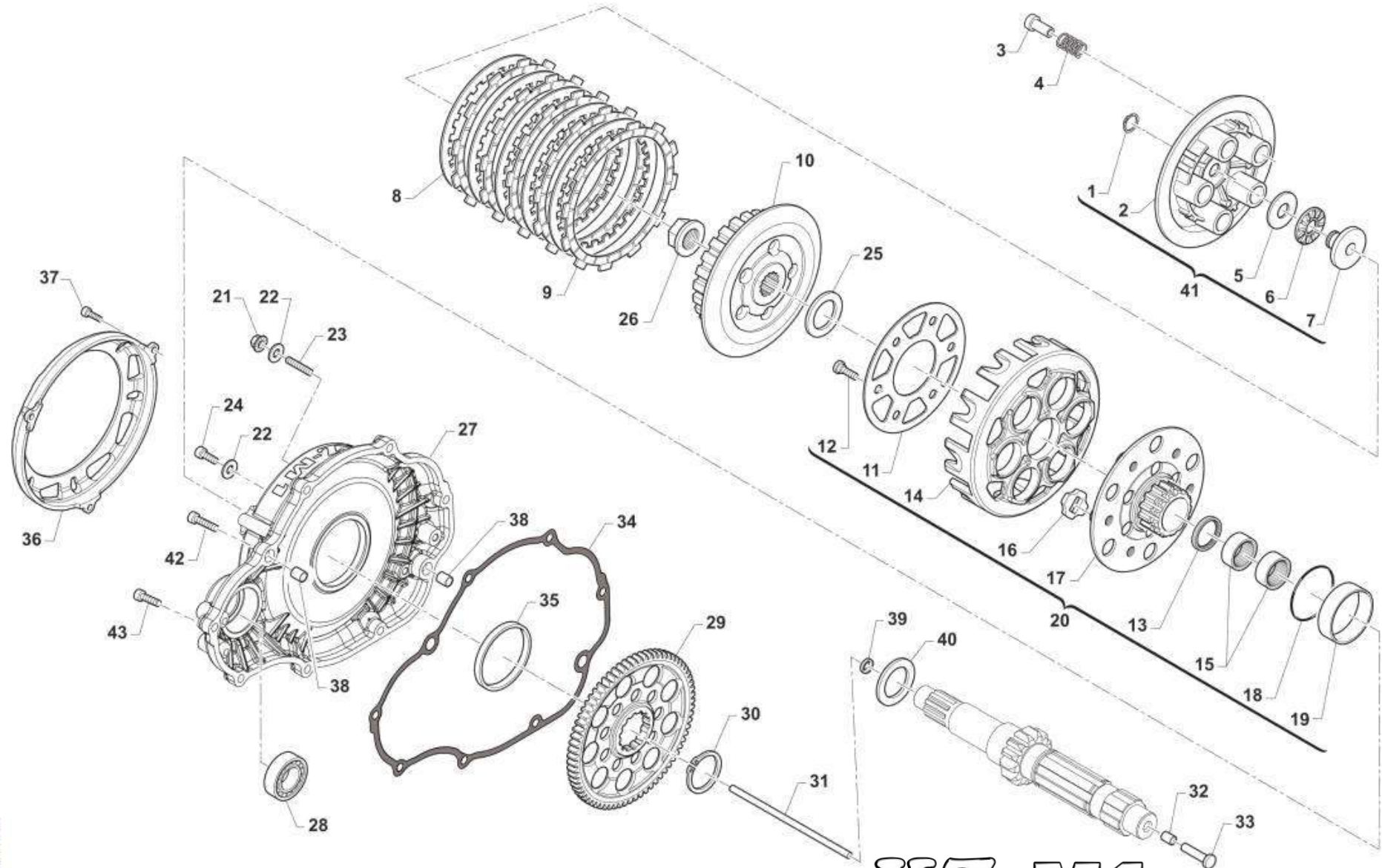
4

Pos.	Codice	Q.tà	Descrizione	Description	Precio en Dlls IVA incluido
1	49593	4	VITE TCEI 4X8 U.	BOLT TCEI 4X8 U.	\$0.55
2	49485	4	VITE TCEI 6X25 UNI 5931	BOLT TCEI 6x25	\$0.30
3	13088	1	FLANGIA COLL.ASP 13059 INCL. KZ10 MEXICO	FLANGE, REEDS BOX KZ-M1	\$81.00
4	13059	1	COLLETTORE ASPIR. KZ10/KZ10B	MANIFOLD RUBBER, INTAKE KZ10	\$28.00
5	05265	1	GUARN.PIAST.P/L.K5/7/9KZ10 2mm	GASKET, REEDS BOX K7/K8/K9/K9B	\$2.00
6			GASKET 1MM	EMPAQUE DE REED 1MM	\$1.00
7			GASKET KIT +O-RING	KIT EMPAQUE + ORING KZ10-C	\$28.00
8	26178	2	PIASTRINO FISS. MANICOTTO FLANGIA 13088	PLATE, STOPPER	\$5.00
9	20091	1	PACCO LAMELLARE CPL KZ-M1	REEDS BOX ASSY KZ-M1	\$275.00
10	20049.1	3	BALESTRINO CARBONIO "U"	REED, STOPPER CARBON "U"	\$21.00
11	20062.2	2	LAMELLA MAGMALYTE 0,34 (TOP)	REED, MAGMALYTE 0,34 (TOP)	\$37.00
12	30364	1	INSERTO ALLUM. PACCO KZ10 MEXICO	INSERT, ALUMINIUM	\$92.00
13	20055	1	PACCO LAMELLARE K9B/CKZ10 NUDO	REEDS BOX K9B/C KZ10	\$118.00
14	20059	1	STOPPER LAMELLE SPEC K8/K9 CP	STOPPERS, METAL (COUPLE)	\$14.00
15	49330	6	VITE T.C. 3X 6 X PACCO LAMELL	SCREW 3 X 6 REEDS BOX	\$0.20
16	51003	1	FASCETTA 32/52 CARBURATORE	CLAMP 32/52	\$2.00

KZ-M1

FRIZIONE
CLUTCH

KZM1
125CC KZ-M1



TM0155.02



KZM1
125CC KZ-M1

FRIZIONE
CLUTCH

Pos.	Codice	Q.tà	Note	Descrizione	Description	Precio en Dlls IVA incluido
1	49211	1		SEEGER E09 ANELLO PIATT.REG.	CIRCLIP D.8,4 - EXTERNAL	\$0.20
2	35016	1		PIATTO SPINGIDISCO KART 97/02	PLATE, CLUTCH PRESSURE 97/04	\$65.00
3	49057	5		DADO FRIZIONE ERGAL KZ10	NUT, CLUTCH KZ10 ERGAL	\$2.00
4	16035	5		MOLLA FRIZIONE 80/125 M. 91/11	SPRING, CLUTCH 80/125 M. 91/11	\$1.00
5	19021	1		RONDELLA X GABBIA RULLI AS1024	WASHER, NEEDLE CAGE AS 1024	\$1.00
6	19020	1		GABBIA A RULLI RAD. AXK 1024	NEEDLE CAGE AXK 1024, RADIAL	\$6.00
7	26001	1		REGGISPINTA FRIZIONE	CLUTCH THRUST	\$4.00
8	35008	5		DISCO FRIZIONE ACC. 1,5 97/98	CLUTCH PLATE, STEEL 1,5mm	\$4.00
9	35017	5		DISCO FRIZ. GUARN. K8/9/B/C KZ	CLUTCH PLATE, FIBER K8/K9/K9B	\$8.00
10	25093	1		TAMBURELLO FRIZ.AL KZ10-B	CLUTCH CENTER KZ10 B	\$84.00
11	35026	1		DISCO BATTUTA GOMM. FRIZ.KZ10B	DISC STOP RUBBERS CLUTCH KZ10B	\$9.00
12	49727	6		VITE PARASTRAPPI K9 M7X1X12,5	SCREW, M7X1X12,5 K9 ENGINE	\$0.75
13	04008	1		PARAOILIO GR 20X26X4	OIL SEAL 20 x 26 x 4	\$4.00
14	25006	1		CAMPANA FRIZIONE KZ10-B	CLUTCH BASKET KZ10-B	\$44.00
15	19040	2		ASTUCCIO A RULLI HK 20/12	NEEDLE CAGE HK 20/12	\$7.00
16	21005	6		GOMMINO PARASTRAPPI FRIZIONE	RUBBER, CLUTCH BASKET	\$1.50
17	40387	1		MOZZO CP PRIM. K9/KZ FIL.ALLEG	HUB, PRIMARY GEAR K9/KZ	\$142.00
18	12036	1		OR COPPIA FRIZ.KV->K10 33X2,2	O-RING PRIMARY GEAR KV/K7/K10	\$0.75
19	26000	1		BOCCOLA RETTIFICATA FRIZ.KV/K3	BUSH (CLUTCH CENTER)	\$10.00
20	40376	1		MOZZO CP PRIM KZ10B/C CPL CAMP	HUB PR.GEAR BASK.CLUTCH KZ10BC	\$264.00
21	49637	1		DADO M 6 BASSO AUTOBLOCCANTE	NUT, M6 LOW SELF-LOCKING	\$0.25
22	49104	2		RONDELLA 6 x 10 x 1.5 ALLUMINIO	WASHER 6 x 10 x 1.5 ALUMINUM	\$0.20
23	49710	1		GRANO 6X30	GRUB SCREW 6 X 30	\$0.50
24	49480	1		VITE TCEI 6X10	BOLT TCEI 6X10	\$0.20
25	48002	1		SPESSORE COP.PRIM.30X18X3	SPACER 30x18x3	\$3.50
26	49064	1		DADO FL. TAMB. FRIZ. KART KZ CH20 M 14x1	NUT, CLUTCH HUB KZ-R1	\$2.50
27	30237	1		COPERCHIO FRIZIONE KZ-M1	COVER, CLUTCH, KZ-M1	\$259.00
28	03019	1		CUSCINETTO BANCO 6202 C4 K9	BUSH, 6202 C4 K9	\$14.00



KZM1
125CC KZ-M1

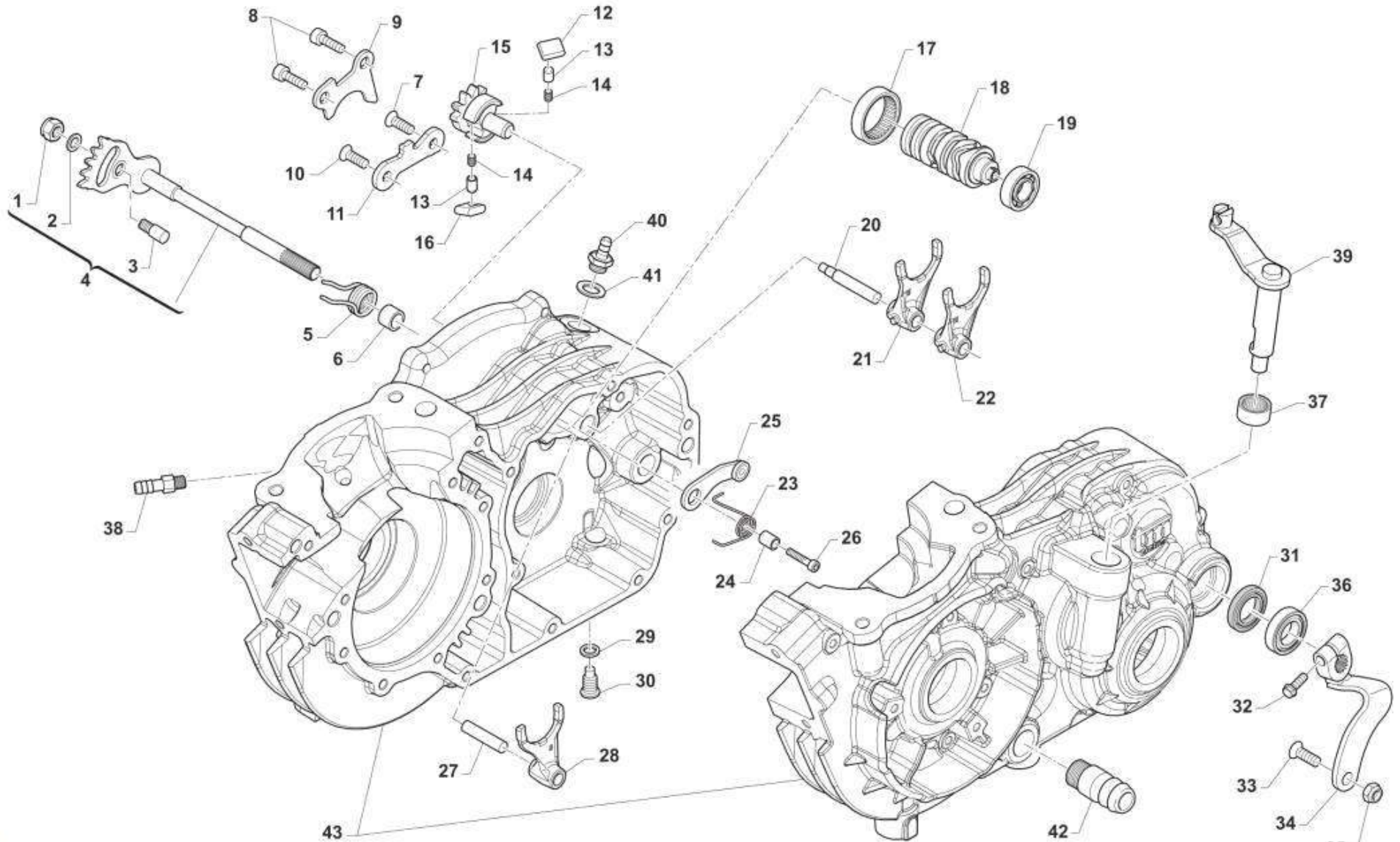
FRIZIONE
CLUTCH

Pos.	Codice	Q.tà	Note	Descrizione	Description	Precio en Dlls IVA incluido
29	40385	1		COPPIA PRIMARIA K9/10-B-C Z=75	PRIMARY DRIVE K8-9-B-C T.75	\$140.00
30	49251	1		SEEGER MOZZO FRIZ. KART 35mm	CIRCLIP CLUTCH HUB KART 35mm	\$1.00
31	35052	1		ASTINA FRIZIONE KZ10-B/C R1 146,2	ROD, CLUTCH KZ10-B/C 146,2mm	\$4.50
32	19006	1		RULLINO ASTA FRIZIONE 5X8	PIN 5 X 8, CLUTCH ROD	\$0.25
33	35030	1		ASTINA FRIZIONE A FUNGO	CLUTCH ROD WITH BUTTON	\$5.00
34	05115	1		GUARN. COP. TRASM. KZ10/KZ10B	GASKET, TRANSMITION COVER KZ10	\$2.50
35	04007	1		PARAOLIO COP.FRIZIONE 40x52x5	OIL SEAL 40 x 52 x 5	\$8.00
35	04007.1	1		PARAOLIO 40 52 05 VC7 TEFLON	OIL SEAL 40 x 52 x 05 TEFLON	\$12.00
35	04007.2	1		PARAOLIO 40 52 05 ANEL. METAL.	OIL SEAL 40X52X05 STEEL RING	\$12.00
36	30162	1		COPERCHIETTO PROT.FRIZ.KZ10C	COVER,CLUTCH PROTECTION KZ10-C	\$10.00
37	49890	3		VITE TBCE 5X14	SCREW TBCE 5X14	\$0.50
38	26045	2		GRANO CARTER 10 X 8 F.7	DOWEL PIN 10 X 8 F.7	\$2.00
39	04009	1		PARAOLIO 5x9x2	OIL SEAL 5 x 9 x 2	\$7.00
40	48003	1		SPESSORE COP.PRIM.30X20X2	SPACER 30X20X2 PRIMARY GEAR	\$3.50
41	35025	1		PIATTO SPING.FRIZ 125/KART CPL	PLATE, CLUTCH PRESSURE ASSY	\$65.00
42	49486	2		VITE TCEI 6X30	BOLT TCEI 6X30	\$0.50
43	49485	7		VITE TCEI 6X25 UNI 5931	BOLT TCEI 6x25	\$.50
45	26091	3		RULLO CENTRAGGIO MOTORE 8X12	CRANKCASE PIN 8X12	\$1.00

KZ-M1

KZM1
125CC KZ-M1

COMANDO CAMBIO
GEARSHIFT MECHANISM



KZ-M1

KZM1
125CC KZ-M1

COMANDO CAMBIO
GEARSHIFT MECHANISM

Pos.	Codice	Q.tà	Note	Descrizione	Description	Precio en Dlls IVA incluido
1	49635	1		DADO M 6 BASSO	NUT M 6	\$0.50
2	49603	1		RONDELLA 6,4 X 12 X 1,5	WASHER 6x12	\$0.25
3	26053	1		BATTUTA ECCENTRICA K9	ADJUSTER SELECTOR SHAFT KZ ENG	\$3.00
4	28102	1		ALBERO COMAND.ING.P.CRIC.K9 04	SHAFT, GEARSHIFT K9 04	\$31.00
5	16010	1		MOLLA RITORNO LEVA CAMBIO 3	SPRING, RETURN GEAR LEVER 3mm	\$3.00
6	26006	1		DISTANZIALE MOLLA LEVA CAMBIO	SPACER, GEAR LEVER SPRING	\$1.50
7	49432U	1		VITE TSEI 6X10 UMB.	BOLT TSEI 6X10 UMB BLACK	\$0.50
8	49482	2		VITE TCEI 6X14	BOLT TCEI 6X14	\$.20
9	26096	1		PIASTRINO RIENT.CRICC.KV/95 K8	PLATE, RATCHET KV/95-K8	\$2.50
10	49404U	1		VITE TSEI 6X16 UMB	BOLT TSEI 6X16 UMBR.	\$2.50
11	26165	1		PIASTRINO FINE CORSA KART'18	PLATE	\$6.50
12	26061	1		CRICCHETTO CAMBIO INFERIORE	RATCHET DOWN, GEAR	\$8.00
13	26062	2		PUNTALE PER CRICCHETTO CAMBIO	PIN, RATCHET GEAR	\$1.50
14	16012	2		MOLLA PER PUNTALE	SPRING, GEARBOX PIN	\$0.50
15	40310	1		INGRANAGGIO PORTACRICCHETTI	DRUM SHIFTER GEAR	\$41.00
16	26060	1		CRICCHETTO CAMBIO SUPERIORE	RATCHET UP, GEAR	\$8.00
17	19041	1		ASTUCCIO A RULLI DHK 35/12	BUSH NEEDLE CAGE DHK 35/12	\$11.00
18	33100	1		ALBERO DESMO KZ10-B/C M1 INTEGRALE	DRUM, GEAR KZ10-B	\$171.00
19	03012	1		CUSCINETTO DESMODROMICO 6001 2RS	BUSH, 6001 2RS GEAR DRUM	\$9.00
20	33099	1		PERNO FORCHETTA ALB.S.KZ8/9/10	AXLE, COUNTERSHAFT	\$16.00
21	33011	1		FORCHETTA ALBERO SECOND.KART	SHIFT FORK COUNTERSHAFT KART	\$45.00
22	33013	1		FORCHETTA ALBERO SECONDARIO 02	SHIFT FORK COUNTERSHAFT 02	\$45.00
23	16095	1		MOLLA BLOCCAMARCE KV-K8-K9-KZ	SPRING STOP GEAR KV-K8-K9-KZ	\$2.50
24	26007	1		DISTANZIALE MOLLA BLOCCAMARCE	SPACER, STOP GEAR SPRING	\$1.50
25	26140	1		PIASTRINO BLOCCAMARC.KZ10B CPL	PLATE, STOP GEAR ASSY KZ10B/C KZ-M1	\$16.00
26	49485	1		VITE TCEI 6X25 UNI 5931	BOLT TCEI 6x25	\$50.00
27	33020	1		PERNO FORCHETTA ALBERO PRIM.	AXEL, MAINSHAFT FORK	\$6.00
28	33010	1		FORCHETTA ALBERO PRIMARIO	SHIFT FORK MAINSHAFT	\$39.00

KZM1
125CC KZ-M1

COMANDO CAMBIO
GEARSHIFT MECHANISM

6



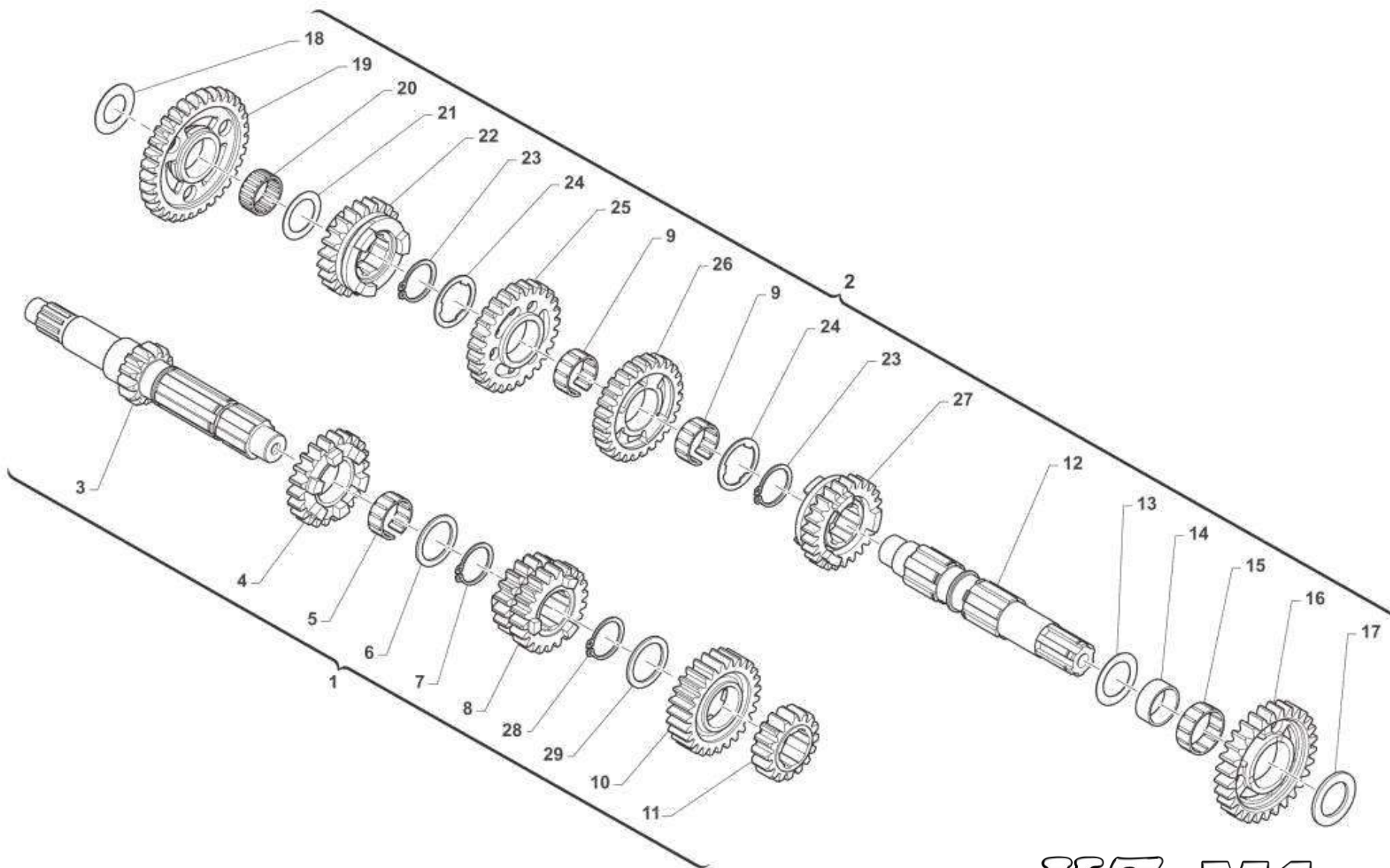
Pos.	Codice	Q.tà	Note	Descrizione	Description	Precio en Dlls IVA incluido
29	49118	1		RONDELLA 12X16X1,5 ALLUMINIO	WASHER, 12X16X1,5 ALUMINUM	\$0.50
30	49851.1	1		TAPPO OLIO C/CALAM. KZ10/KZ10B	OIL PLUG WITH MAGNET KZ10	\$11.00
31	04004	1		PARAOLIO POMPA H2O-LEVA CAMBIO	OIL SEAL 12 x 22 x 5	\$3.50
32	49538.1	1		VITE TCEI 6X22 NERA DIN912 12.9	BOLT TCEI 6X22 BLACK	\$0.50
33	49422	1		VITE TSEI 8X30	BOLT TSEI 8X30	\$0.50
34	43004	1		LEVA CAMBIO KART K8 - K9/B/C - KZ10/B/C/ - KZ-R1	GEAR LEVER KZ-R1	\$21.00
35	49644	1		DADO M 8 ALTO AUTOBLOCCANTE	NUT 8mm, HIGHT SELF-LOCKING	\$0.50
36	03012	1		CUSCINETTO DESMODROMICO 6001 2RS	BUSH, 6001 2RS GEAR DRUM	\$9.00
37	19042	1		ASTUC.FRIZ. RULLI HK 14/14RS	NEEDLE CAGE DHK 14/14 RS	\$11.00
38	49008	1		RACCORDO SFIATO MX/END KART OT Kart/Cross	BREATHER ENGINE MX / KART	\$2.50
39	43011	1		LEVA COMANDO FRIZ. KART	LEVER, KART CLUTCH CONTROL	\$21.00
40	49302	1		TAPPO OLIO CON SFIATO	OIL PLUG WITH VENT	\$5.00
41	49103	1		RONDELLA 14X20X1,5 ALLUMINIO	WASHER, 14 X 20 X 1.5 ALUMINUM	\$0.50
42	28018	1		RACCORDO ACQUA KV K9B K9C INF.	WATER JOINT KV K9B K9C LOWER	\$5.00
43	30238	1		BASAMENTO MOTORE KZ-M1 STD	CRANKCASE KZ-M1	\$705.00
44	33096			PIN, FORKS	PIN, HORQUILLAS	\$12.00
45	26094			PLATE, END K9	PLACA, EXTREMO K9	\$3.50

KZ-M1



KZM1
125CC KZ-M1

CAMBIO
GEAR BOX



K0154.01



KZM1
125CC KZ-M1

CAMBIO
GEAR BOX

Pos.	Codice	Q.tà	Note	Descrizione	Description	Precio en Dlls IVA incluido
1	40081	1		ALBERO PRIMARIO KZ10-C CPL	PRIMARY SHAFT ASSY KZ10-C KZ-M1	\$541.00
2	40082	1		ALBERO SECONDAIO KZ10-C CPL	COUNTERSHAFT ASSY KZ10-C KZ-M1	\$667.00
3	40439	1		ALBERO PRIMARIO Z13 KZ10B-C	MAINSHAFT Z 13 KZ10B	\$89.00
4	40440	1		INGR. A.P. 5a Z 22 K9B/C 10 R1 CR/E90	GEAR, 5TH (22T) MAINSHAFT	\$35.00
5	19071	1		GABBIA A 20X24X10 IN DUE META'	NEEDLE CAGE 20X24X10 TWO PIEC.	\$19.00
6	48041	1		RASAMENTO A/P 27.5X21X1 KZ10B	SPACER, MAINSHAFT 27,5X21X1 KZ	\$2.50
7	49222	1		SEEGER E 21 mm	CIRCLIP D.21 - EXTERNAL	\$0.25
8	40437	1		INGR A.P. 3/4a Z 18/22 K9B/C	GEAR, 3/4(18/22T)MAINSHAFT K9B	\$70.00
9	19070	2		GABBIA A RULLI CAMBIO PLAST. 21x25x10	NEEDLE CAGE GEAR BOX PLASTIC	\$7.00
10	40454	1		INGR A.P. 6a Z 27 K9B/C VERD.C	GEAR, 6TH (27T) K9B/C	\$36.00
11	40422	1		INGR A.P. 2a Z 16 K9 B / C VERDE	GEAR, 2ND (16T) MAINSHAFT GREEN	\$28.00
12	40467	1		ALBERO SECONDARIO G.RULLI D21	COUNTERSHAFT NEEDLE CAGE D.21	\$90.00
13	26152	1		SPESS.ALB.SEC.KZ10B 2A VEL. MM 31.50 X 21.25 X 0.50	SPACER, COUNTERSHAFT KZ10B	\$1.50
14	26149	1		BOCCOLA INGRANAGGIO 40486	BUSH FOR GEAR 40486	\$4.50
15	19066	1		GABBIA A RULLI K 24x28x10 KART	NEEDLE CAGE 24X28X10 KART	\$9.00
16	40486	1		INGR A.S. 2a Z 29 G.RULLI D21	GEAR, 2ND (29T) COUNTERSH.D.21	\$47.00
17	48039	1		RASAMENTO A/S MAG 32X21X2	SPACER, COUNTERSHAFT 32X21X2	\$3.00
18	48010	1		RASAMENTO ALB/S.28X15X0,5 INGI	SPACER, 28x15x0,5	\$0.50
19	40472	1		INGR A.S. 1a Z 33 K9B/C BIANCO	GEAR 1ST(33T)COUNTERSHAFT K9B	\$46.00
20	19011	1		GABBIA A RULLI K 17X21X10	BUSH CAGE 17 X 21 X 10	\$7.00
21	48012	1		RASAMENTO A/S M/M SPESS.0,5	SPACER, 26x17x0,5	\$0.75
22	40515	1		INGR A.S. 5a SCANALATO z 23	GEAR, 5TH (23T) COUNTERSHAFT	\$52.00
23	49221	2		SEEGER E25 A/S KZ10-B/C KZ-R1	SEEGER E21	\$0.75
24	48251	2		SPESSORE DENT.CAMBIO 250/KZ10B	SPACER, GEAR 250cc	\$1.00
25	40495	1		INGR A.S. 3a Z27 GABBIA RULLI	GEAR, 3RD (Z27) COUNTERSHAFT	\$55.00
26	40503	1		INGR A.S. 4a Z 27 K9B/C G.RULL	GEAR, 4TH COUNTERSHAFT CAGE N.	\$55.00
27	40536	1		INGR A.S. 6a SCANALATO D. 25	GEAR, 6TH (25T) COUNTERSHAFT	\$49.00
28	49216	1		SEEGER E20 PIGN.-CAMBIO-COPPIA	CIRCLIP D.20 - EXTERNAL	\$0.25



KZM1
125CC KZ-M1

CAMBIO
GEAR
BOX

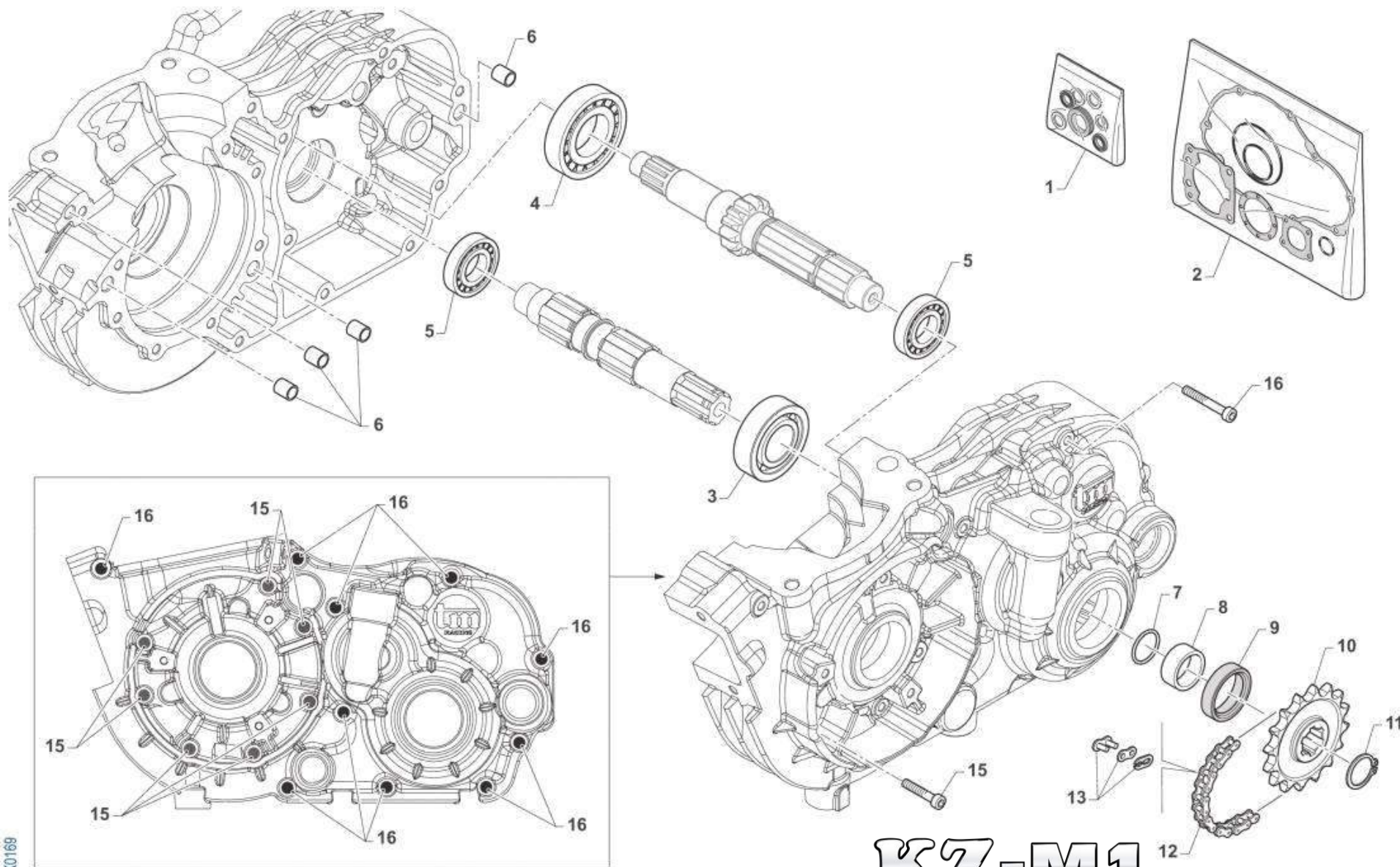
7

Pos.	Codice	Q.tà	Note	Descrizione	Description	Precio en Dlls IVA incluido
29	48013	1		RASAMENTO A/S 27X20X0,7	SPACER, 27x20x0,7	\$0.50

KZ-M1

KZM1
 125CC KZ-M1

CUSCINETTI CAMBIO E PIGNONE
 BEARINGS AND SPROCKET



KZ-M1

KZM1
125CC KZ-M1

CUSCINETTI CAMBIO E PIGNONE
BEARINGS AND SPROCKET

8

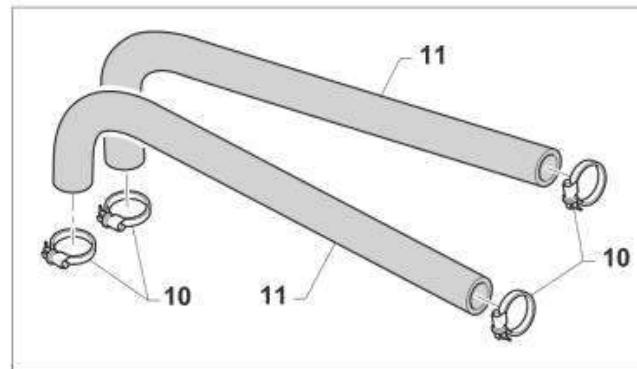
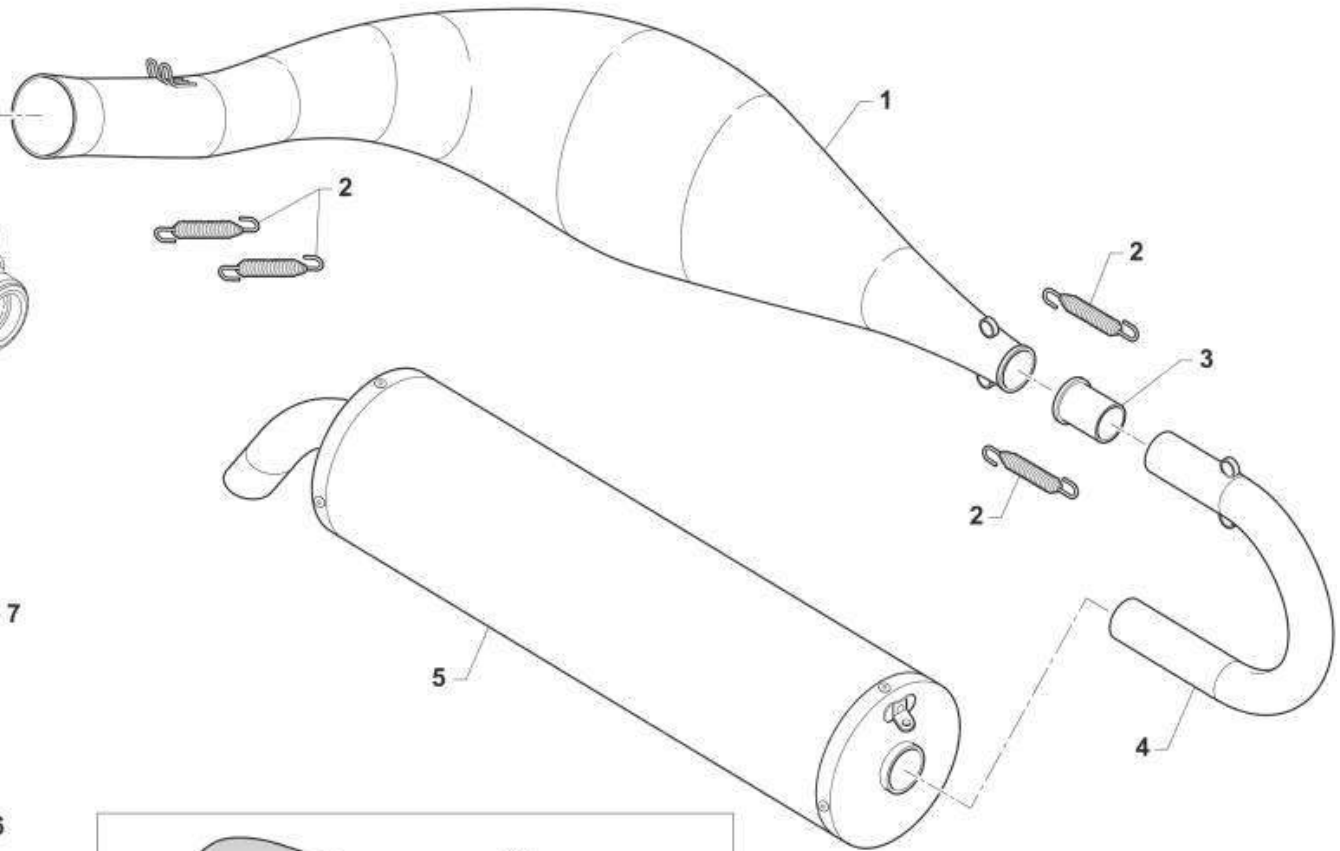
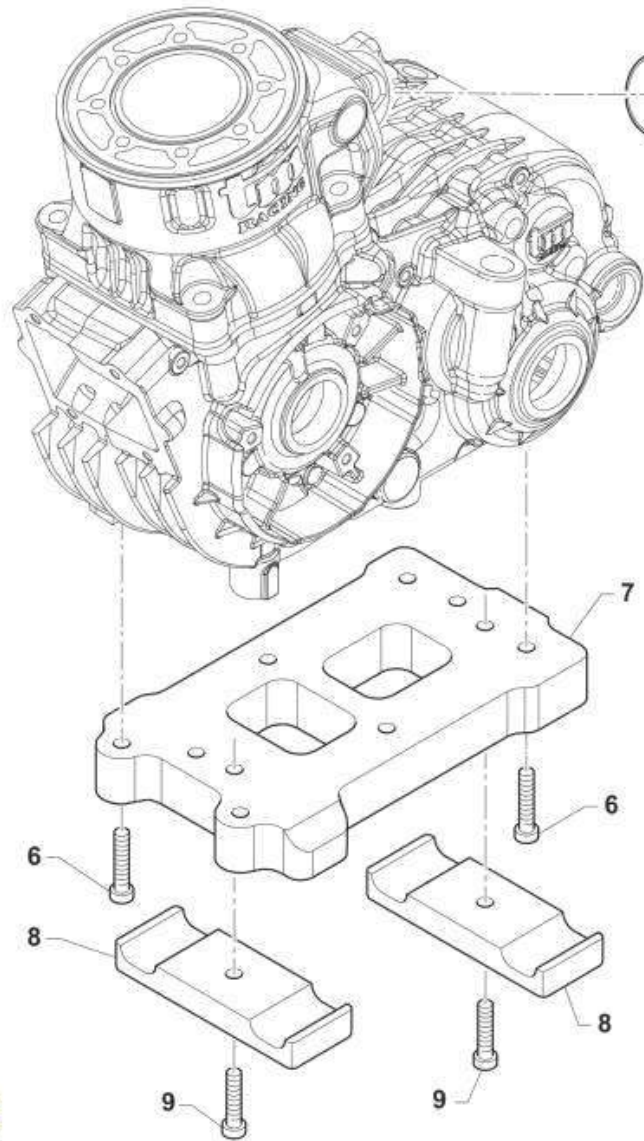


Pos.	Codice	Q.tà	Note	Descrizione	Description	Precio en Dlls IVA incluido
1	04028	1		KIT PARAOLIO K9/K9B/K9C/KZ10	OIL SEAL KIT, K9/K9B/C/KZ10/B	\$28.00
2	05622	1		KIT GUARNIZIONI + OR KZ10-B	GASKETS KIT + OR KZ10 B	\$20.00
3	03033	1		CUSCINETTO RULLI PIGNONE CAT.K ALB.21mm	BUSH AXE D.21 CHAIN SPROCKET	\$49.00
4	03252	1		CUSCINETTO 6205 C4 A/P 250/K9	BUSH, MAINSHAFT 250 / KZ	\$13.00
5	03080	2		CUSCINETTO 6202 Z C3	BUSH, CRAKSHAFT CLUTCH SIDE	\$12.00
6	26091	4		RULLO CENTRAGGIO MOTORE 8X12	CRANKCASE PIN 8X12	\$1.00
7	12019	1		O RING PIGNONE CATENA	O-RING, DRIVE GEAR 2075	\$0.50
8	26150	1		DISTANZIALE PIGNONE KZ 10B/C R1 MAGG.	SPACER, FRONT SPROCKET KZ10B +	\$3.00
9	04003	1		PARAOLIO PIGN.CATENA (26x37x7)	OIL SEAL 26 x 37 x 7	\$4.00
10	40066.15	1		PIGNONE Z 15 P.1/2X5/16 CENTR	SPROCKET 15T, DRIVE 1/2X5/16	\$24.00
10	40066.16	1		PIGNONE Z 16 P.1/2X5/16 CENTR	SPROCKET 16T, DRIVE 1/2X5/16	\$24.00
10	40066.17	1		PIGNONE Z 17 P.1/2X5/16 CENTR	SPROCKET 17T, DRIVE 1/2X5/16	\$24.00
10	40066.18	1		PIGNONE Z 18 P.1/2X5/16 CENTR	SPROCKET 18T, DRIVE 1/2X5/16	\$24.00
11	49216	1		SEEGER E20 PIGN.-CAMBIO-COPPIA	CIRCLIP D.20 - EXTERNAL	\$0.25
12	70099	1		CATENA KART 126RH x 58 MAGLIE	CHAIN, KART 126 RH x 58	\$50.00
13	70097	1		GIUNTO CATENA 126 HK KART	CHAIN, JOINT 126 RH	\$4.5
15	49489	7		VITE TCEI 6X45 UNI 5931	BOLT TCEI 6x45	\$0.40
16	49491	10		VITE TCEI 6X55	BOLT TCEI 6X55	\$0.50
17	49483				BOLT 6X16	\$0.20
18	49405				BOLT 6X20	\$0.50

KZ-M1

KZM1
125CC KZ-M1

SCARICO
EXHAUST SYSTEM



K0167.01



KZM1

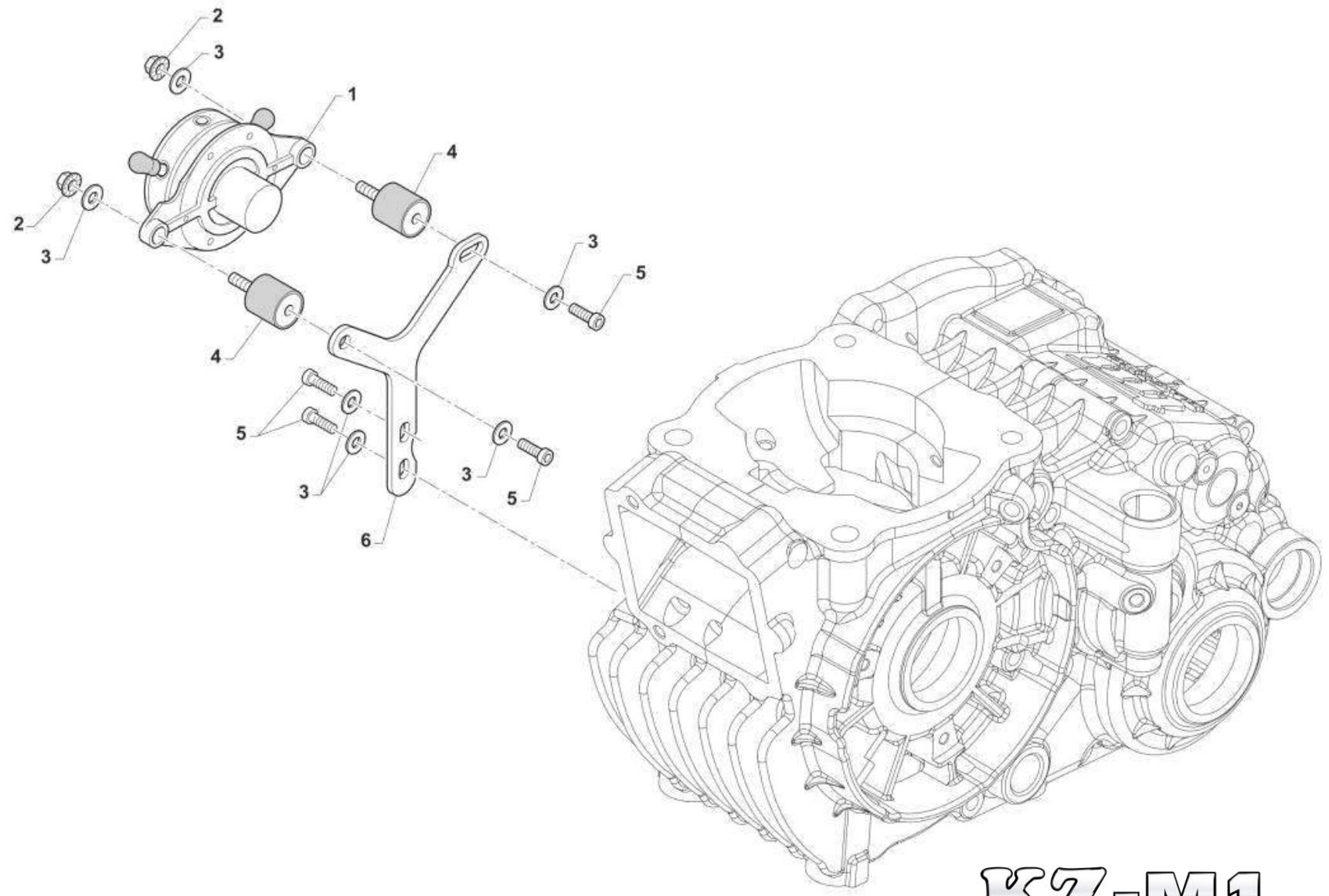
125CC KZ-M1

SCARICO
 EXHAUST
 SYSTEM

Pos.	Codice	Q.tà	Note	Descrizione	Description	Precio en Dlls IVA incluido
1	27272	1		MARMITTA KART 125 KZ-M1	EXHAUST PIPE KZ-M1	\$359.00
2	16003	4		MOLLA TR.SCARICO BICONICA 125	SPRING, EXHAUST 125cc	\$3.00
3	26121	1		BOCCOLA CURVA SCAR. KZ10 21.0	BUSH EXHAUST END KZ10 21.0	\$22.00
4	27027.2	1		TUBO FINALINO MARMIT.OM 28X1.5	END PIPE, EXHAUST 28 X 1,5	\$20.00
5	27070.39	1		SILENZ. KART 039-SE-24 TD/3	SILENCER KART 039-SE-24 TD/3	\$327.00
6	49501	6		VITE TCEI 8X25 UNI 5931	BOLT TCEI 8X25	\$0.25
7	50156.3	1		SUPPORTO MOTORE KZ10C NUDO BLK	MOTOR MOUNT BLACK KZ10-C KZ-M1	\$284.00
8	50014	2		SOTTOSTAFFA SUPPORTO MOTORE	HOLDER, MOTOR MOUNT	\$23.00
9	49520	2		VITE TCEI 10X40	BOLT TCEI 10X40	\$0.50
10	51070	4		FASCETTA 17/29 VELOBLOC 3B	CLAMP 17/29 VELOVLOC 3B	\$1.50
11	21020	2		MANICOTTO ACQUA LUNGO 90	HOSE, RUBBER 90cms	\$11.00

KZM1
125CC KZ-M1

POMPA BENZINA



TM0170



KZM1
125CC KZ-M1

POMPA
BENZINA

Pos.	Codice	Q.tà	Note	Descrizione	Description	Precio en Dlls IVA incluido
1	24020	1		POMPA BENZINA DEPRESSIONE TM	FUEL PUMP MIKUNI	\$90.00
2	49637	2		DADO M 6 BASSO AUTOBLOCCANTE	NUT, M6 LOW SELF-LOCKING	\$0.25
3	49603	6		RONDELLA 6,4 X 12 X 1,5	WASHER 6x12	\$0.25
4	21042	2		SILENT BLOCK M6/F6 20x20 H16	SILENT BLOCK M6/F6 20x20 H16	\$3.50
5	49482	4		VITE TCEI 6X14	BOLT TCEI 6X14	\$0.20
6	55025	1		SUPPORTO POMPA Y DIRITTO C/SB	HOLDER PUMP Y RIGHT	\$20.00